

AOM3

Current Loop Output Module

The AOM3 Current Loop Output Module provides four channels of high-speed analog current output. Each channel has an independent D/A converter.

The D/A converters offer true 12-bit resolution with a maximum nonlinearity of $\pm .012\%$. A single 0-20.475mA output range has a resolution of $5\mu\text{A}$ and a voltage compliance of $(V_{\text{SUPPLY}} - 6\text{V})$. Each current output can be supplied either by the internal +15V supply, or by an external supply of up to +26V DC.

A system strobe feature, supported by two levels of data latching in the D/A converters, allows any number of D/A channels to be updated simultaneously.

Signals are connected directly to the module via screw terminals mounted on the right-hand side of the module board.

The AOM3 module may be placed in any available slot in the system. To install the module, turn off power, then remove the top cover of the mainframe and insert it in the desired slot with the component side facing the power supply. Generally, analog modules should be placed in the low-numbered slots to isolate them from power supply thermal and noise effects.

CAUTION: Always turn off the system power before installing or removing modules. To avoid possible EMI radiation never operate the system with the top cover removed.

User-Configured Components

All output connections are made to screw terminals located on the module. Two terminals are provided for each channel: signal output and common ground.

Table 1. Summary of User Configured Components on the AOM3

Name	Designation	Function
Screw Terminals	J169	Output Connection Channels 0-3
	Part of J169	External Power Connections
Jumper 101	W101	Select Internal/External Supply

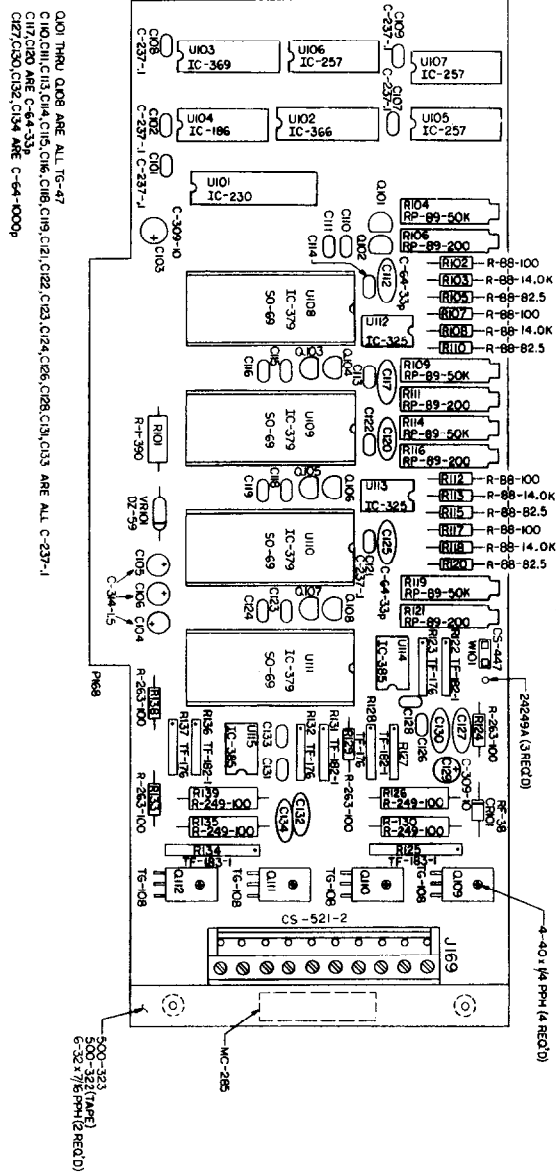


Figure 1. AOM3 Module

Connections

Terminal connections are shown in Figure 2, which illustrates a typical connecting scheme. The use of shielded cable is recommended to minimize the possibility of EMI radiation. Connect one end of the shield to AOM3 ground and leave the other end disconnected.

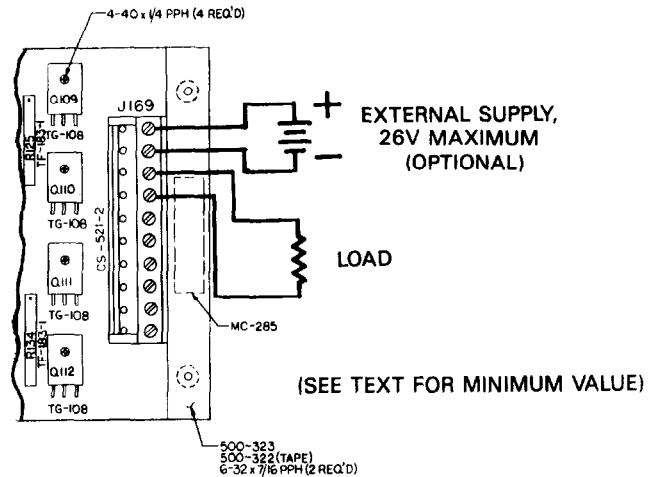


Figure 2. Typical AOM3 Output Connections (Channel 0 shown)

Voltage Supply Connections

The channel outputs may be operated from either the internal +15V supply or an external supply of up to +26V. When using the internal supply, jumper W101 must be in the INT position. To operate the module on an external supply, place W101 in the EXT position and connect the supply to the external supply terminals. Be sure to observe proper polarity.

Output Loading Considerations

Each channel on the AOM3 has a current output capability between 0 and 20.475mA in 5 μ A steps. As with any current source, there is a maximum limit to the resistance that can be placed across the output. The maximum resistance that can be tolerated depends on the supply voltage according to the following formula:

$$R = \frac{V_s - 6}{0.020475}$$

Where V_s is the supply voltage, ($V_s - 6$) is the voltage compliance, and 0.020475 is the maximum current output. When the module is configured to operate from the internal

supply, V_s is equal to 15V, so the maximum resistance for these conditions can be calculated as follows:

$$R = \frac{15-6}{0.020475}$$

$$R = 439.6\Omega$$

Commands

AOM3 module commands are listed in Table 2. Table 3 summarizes the locations for slot-dependent commands.

Table 2. Commands Used with the AOM3 Module

Command	Location
D/A CONTROL	Slot-dependent CMDA
D/A DATA	Slot-dependent CMDB
STROBE	CFF9D

Table 3. Location for Slot-Dependent Commands

Slot	CMDA	CMDB
Slot 1	CFF80	CFF81
Slot 2	CFF82	CFF83
Slot 3	CFF84	CFF85
Slot 4	CFF86	CFF87
Slot 5	CFF88	CFF89
Slot 6	CFF8A	CFF8B
Slot 7	CFF8C	CFF8D
Slot 8	CFF8E	CFF8F
Slot 9	CFF90	CFF91
Slot 10	CFF92	CFF93

D/A CONTROL

Location: Slot-dependent CMDA

D/A CONTROL always precedes D/A DATA, indicating to the AOM3 module which channel of analog output to update, and which byte of data to load. Table 4 lists values written to the D/A CONTROL locations.

The high and low bytes of data may be updated independently and in any order; there is no hardware reason that both bytes must be updated at the same time. Similarly, channels can be updated independently and in any order.

The location assigned to D/A CONTROL varies depending on which baseboard slot holds the D/A converter being addressed (See Table 3).

Table 4. Values Written to D/A CONTROL

Function	Binary	Hex	Decimal
Channel 0 low byte	0000	H0	0
Channel 0 high byte	0001	H1	1
Channel 1 low byte	0011	H2	2
Channel 1 high byte	0010	H3	3
Channel 2 low byte	0100	H4	4
Channel 2 high byte	0101	H5	5
Channel 3 low byte	0110	H6	6
Channel 3 high byte	0111	H7	7

D/A DATA

Location: Slot-dependent CMDB

D/A DATA is used to load data values into the D/A converter. This command should always be preceded by D/A CONTROL, which selects the channel and the byte to be loaded. The data must be separated into low and high bytes prior to loading, and each byte must be prefaced by D/A CONTROL.

When the strobe feature is not enabled, the output of the converter is updated immediately. Thus, when the strobe is not used, the low and high bytes are updated independently. When the strobe is enabled, outputs are not updated until the STROBE command is issued with the value 1 (to issue data).

To determine the digital value to input for a given current, it is necessary to know the output range of the D/A converter. With a 12-bit digital converter, there are 4096 possible voltage levels, specified with digital values 0-4095. Therefore the actual full scale value is the nominal f.s. value minus 1 LSB. The current of each step equals the range divided by 4095. For an input range of 0 to 20.475mA for example, the current of each step is 20.480/4095 or 5 μ A: thus a BASIC formula for each current value can be derived:

$$I = D \times 5 \times 10^{-6}$$

Where I is current and D is the digital value in counts loaded into the converter. Similarly, the following BASIC equation determines the digital value to use when a particular current is required:

$$D = \text{INT} \left(\frac{I}{5 \times 10^{-6}} \right)$$

Again, D is the digital value, while I is the current.

The digital values may be separated into low byte (LB) and high byte (HB) values with the following equations:

$$\begin{aligned} \text{HB} &= \text{INT} (D/256) \\ \text{LB} &= (D/256 - \text{HB}) * 256 \end{aligned}$$

STROBE

Location: CFF9D

The STROBE command is used to make possible the synchronous updating of two or more analog output channels. STROBE is issued in three modes: strobe enable, strobe disable and issue data. The STROBE feature must either be enabled or disabled at the start of any program, or the D/A converters will not function (see Table 5).

When any strobe feature is disabled, all data given to a D/A converter is immediately placed in that converter's primary data latch, and the current output updated. The low byte and high byte are thus updated asynchronously.

When the strobe is enabled, no data is updated until the STROBE command has been issued in the issue data mode. New data is placed in a secondary data latch within the D/A converter. When the STROBE command (to issue data) is given, new data is released to the primary data latch, updating the current output, and old data in other channels is reissued, leaving the current output of these channels unchanged. The strobe is completely flexible. Any amount of data-from a single byte to any number of channels - can be updated when the strobe is enabled.

To use the strobe, issue the strobe enable command early in the program. Use the D/A CONTROL and D/A DATA commands to load the secondary latches of the appropriate converters. This can be done as far in advance as required. To issue the new data, load STROBE with 1 (to issue data), releasing all data loaded since the last issue data command and leaving unchanged the outputs of other channels.

The STROBE feature is global, affecting all D/A modules installed in the Series 500 simultaneously.

Table 5. Values Written to STROBE

Function	Binary	Hex	Decimal
Strobe Enable	01000000	H40	64
Strobe Disable	10000000	H80	128
Issue Data	00000001	H01	1

AOM3 Module Calibration

Calibration of the AOM3 module is very similar to the procedure used to calibrate the AOM1. This module has only a single range, however, so the complexity is reduced considerably. Keep in mind that the AOM3 module has current outputs, so the DMM must be set to the appropriate DC current range for calibration. Figure 3 shows calibration adjustment locations for the AOM3. Program 1 lists a calibration program intended for use with this module.

1. Place the module to be calibrated in slot 5 of the system baseboard.
2. Unless an external voltage source is connected to the module, place the supply jumper in the internal position.

3. Connect the DMM high (or current input) lead to the signal output terminal of the channel being calibrated. Connect the DMM low signal lead to module ground.
4. Select an appropriate function and range on the DMM. Remember that the AOM3 module puts out a current in the range of 0-20.475mA.
5. Enter program 5 into the computer.
6. Run the program and follow the instructions given. The program will prompt for module type and output channel, and then display the correct offset and gain adjustment values in that order.

Program 1. AOM3 Calibration

```

10 DEF SEG=&HCFF0:CLS
20 CA=&H88:CB=&H89:ST=&H9D
30 POKE ST,64
40 PRINT"1- AOM3"
50 PRINT"2- AOM4"
60 PRINT:INPUT"MODULE TYPE (1 OR 2)";M
70 IF M<1 OR M>2 THEN 60
80 IF M=1 THEN M$="AOM3":R$="CURRENT"
90 IF M=2 THEN M$="AOM4":R$="VOLTAGE"
100 PRINT"INSERT";M$;"INTO SLOT 5"
110 PRINT:INPUT"CHANNEL (0-3)";CH
120 IF CH<0 OR CH>3 THEN 110
130 PRINT:PRINT"CONNECT DMM TO CHANNEL";CH
140 PRINT"SET DMM TO MEASURE";R$
150 ON M GOSUB 300,320
160 POKE CA,2*CH:POKE CB,LB
170 POKE CA,2*CH+1:POKE CB,HB
180 POKE ST,1
190 PRINT:PRINT"ADJUST CHANNEL";CH;"OFFSET FOR"; L$;"READING ON DMM"
200 INPUT "PRESS RETURN TO CONTINUE";A$
210 ON M GOSUB 310,330
220 POKE CA,2*CH:POKE CB,LB
230 POKE CA,2*CH+1:POKE CB,HB
240 POKE ST,1
250 PRINT:PRINT"ADJUST CHANNEL";CH;"GAIN FOR";H$; "READING ON DMM"
260 INPUT"PRESS RETURN TO CONTINUE";A$
270 PRINT:INPUT"AGAIN";A$
280 IF LEFT$(A$,1)="Y" THEN 110
290 END
300 LB=1:HB=0:L$="5μA":RETURN
310 LB=255:HB=15:H$="20.475mA":RETURN
320 LB=1:HB=0:L$="2.5mV":RETURN
330 LB=255:HB=15:H$="10.238V":RETURN

```

C01 THRU C08 ARE ALL TS-47
 C10,C11,C13,C14,C15,C16,C18,C19,C21,C22,C23,C24,C26,C28,C31,C33 ARE ALL C-237-I
 C17,C20 ARE C-64-33
 C27,C30,C32,C34 ARE C-64-1000P

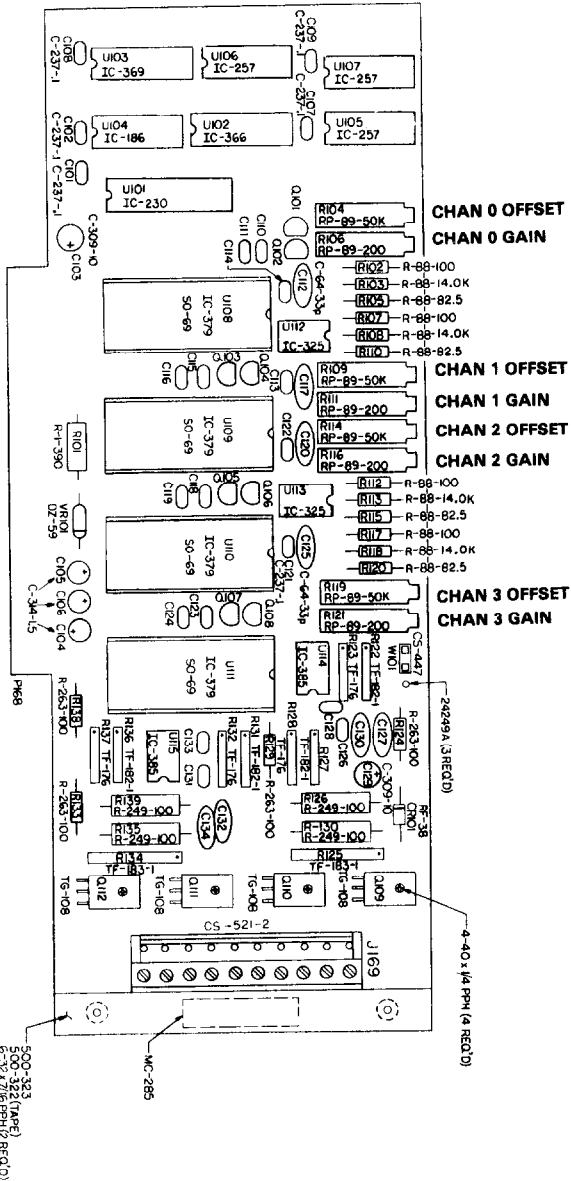


Figure 3. AOM3 Calibration Adjustments

Theory of Operation

The AOM3 schematic diagram is located on drawing number 500-406.

The circuitry on the module can be divided into three groups: D/A conversion circuitry for each of the four channels, command development circuitry, and data buffering circuitry.

D/A conversion centers around the complete 12 bit D/A converters (AD567JN), one for each channel of the module. These converters (U108-U111) contain precision voltage references, high-speed analog switches, two levels of data latching, and a precision resistor ladder. Each D/A converter is supplemented by a high-speed, high accuracy, operational amplifier, U112A and U112B for channels 0 and 1, and U113A and U113B for channels 2 and 3 respectively.

Two potentiometers calibrate the gain and offset for each D/A converter: potentiometers R106, R111, R106 and R121 calibrate the gain for channels 0-3 respectively; potentiometers, R104, R109, R114 and R119 calibrate the offset for channels 0-3.

Each AOM3 output stage includes a voltage-current converter made up of an operational amplifier and a driver transistor. U114A, U114B, U115A and U115B are buffer amplifiers for channels 0-3, while Q109, Q110, Q111 and Q112 provide the current drive for channels 0-3 respectively. Resistors in the output stage set a transfer function of 2mA/V, giving a maximum output of 20.475mA. A 0.001 μ F capacitor in the feedback circuit for each output stage prevents oscillation in the event that large capacitive loads are connected across the outputs.

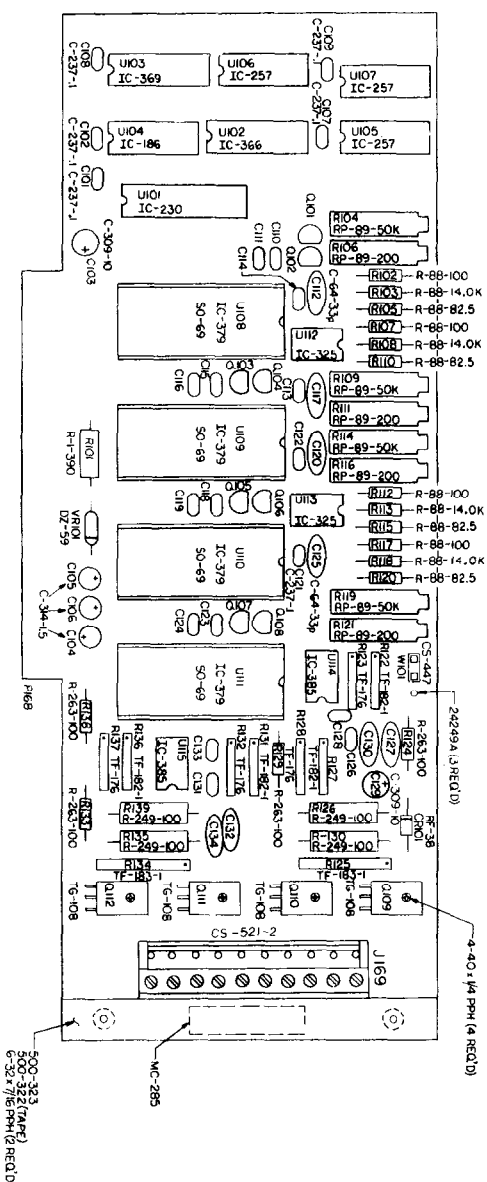
Components U102-U107 comprise the command development circuitry. A quad transparent data latch, U102 (74LS75) stores the 3 bit command selected data (a number between 0 and 7). This latch is refreshed by a negative pulse of the D/A CONTROL Command line (CMDA). CMDA is buffered and inverted by a hex inverter segment of U104 (74LS04). U103, a binary-to-decimal decoder (74LS42), generates eight separate command lines based on the 3 bit binary word from U102. The eight command lines are then gated by quad OR gate segments of U105-U107 to control data latching in U108-U111.

The eight data lines are buffered by U101, an octal buffer (74LS244). The operation of U101 is controlled by the CMDA and CMDB lines through elements of U104 and U105. U101 will be enabled if either CMDA or CMDB is low.

AOM3 Specifications

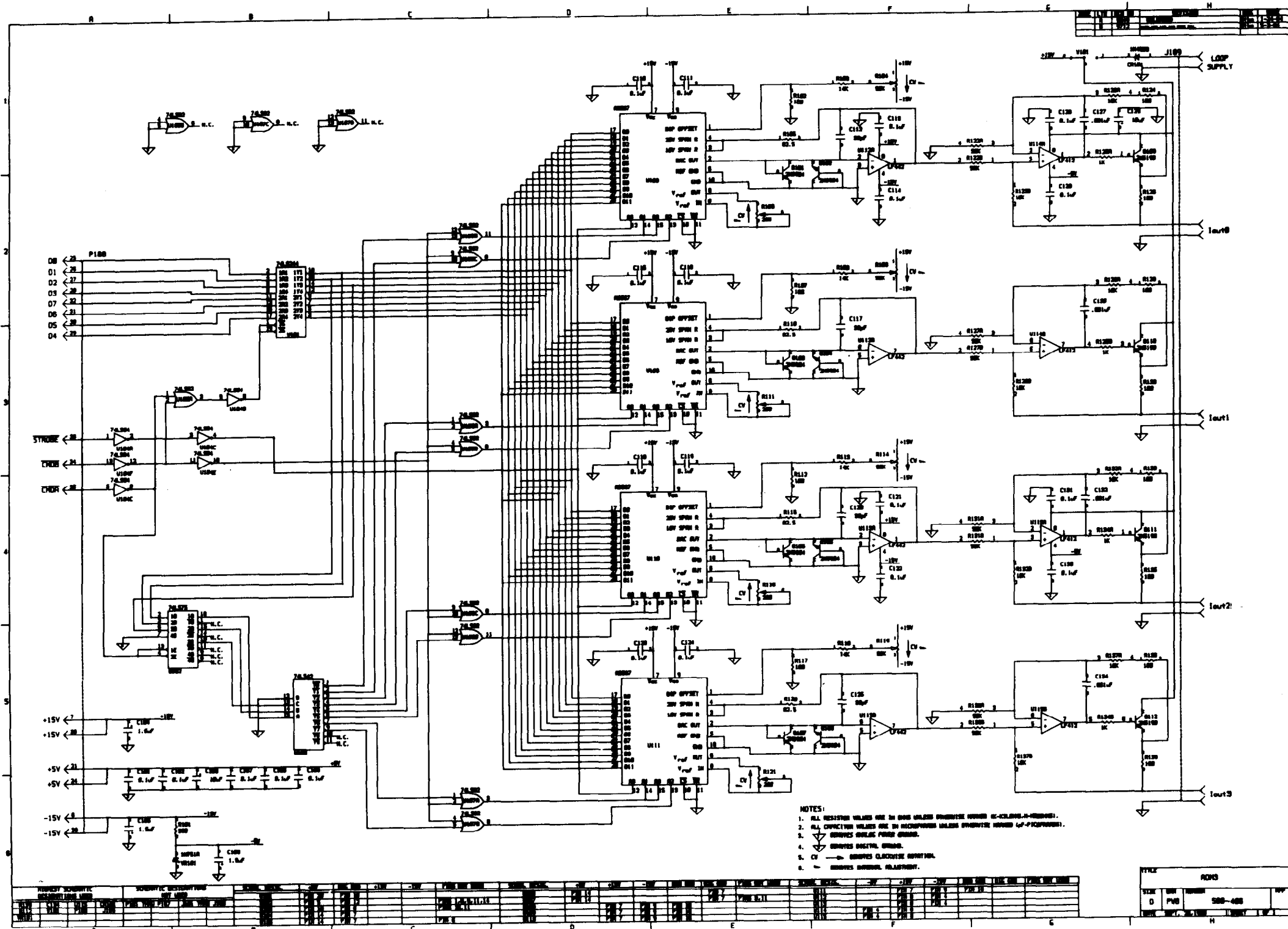
Number of Channels: 4
Range of Output: 0 to 20.475mA
Resolution: 12 bits
External Loop Supply: up to 26V DC
Compliance: $V_{loop} - 6V$ (typical)
Output Impedance: <2.5 Meg. at DC

The AOM3 consists of 4 current-output channels. Each channel has a nominal output current range of 0 to 20.475mA with 12-bit resolution. This corresponds to 5 μ A per LSB. The current output can be supplied either by the internal +15V supply or by an external loop supply of up to 26V DC.



Q101 THRU Q109 ARE ALL 75-47
 C101, C102, C103, C104, C105, C106, C108, C109, C101, C122, C123, C124, C106, C108, C109, C133 ARE ALL C-237-1
 C107, C120 ARE C-64-335
 C127, C130, C132, C134 ARE C-64-1000p

AOM3 COMPONENT LAYOUT



AOM3 SCHEMATIC DIAGRAM